

**Sure Eject™**  
**Mounting Adapter Kit**  
7860

Easily install 15A and 20A Sure Eject units from the outside of a vehicle.

**Features**

- Allows one person installation of Sure Eject
- No special shaped cutouts required
- Threaded backing plate secures Sure Eject to vehicle without added hardware
- Compatible with all 15A and 20A Sure Eject ejection units, with and without covers (7850, 7850001, 7851, & 7851001)

**Specifications**

Sure Eject Assembly Screws	#8-32 x 7/8"
Max. Torque	10.8 in-lb (1.2 N-m) for #8-32 x 7/8" screws
Installation Screws	#10-32 x 1"
Max. Torque	19 in-lb (2.1 N-m) for #10-32 x 1" screws

NOTE: Anti vibration thread-locker recommended.

**Mounting Adapter Kit includes:**

1. 1 x Mounting Plate
2. 4x #8-32 x 7/8" Assembly Screws
3. 1x Backing Plate
4. 4x #10-32 x 1" Installation Screws
5. 1x Foam Gasket for Face Plate

Blue Sea Systems, Inc.  
4600 Ryzex Way  
Bellingham, WA 98226 USA  
p 360.738.8230  
[www.blueseasystems.com](http://www.blueseasystems.com)

980036520 Rev. 002

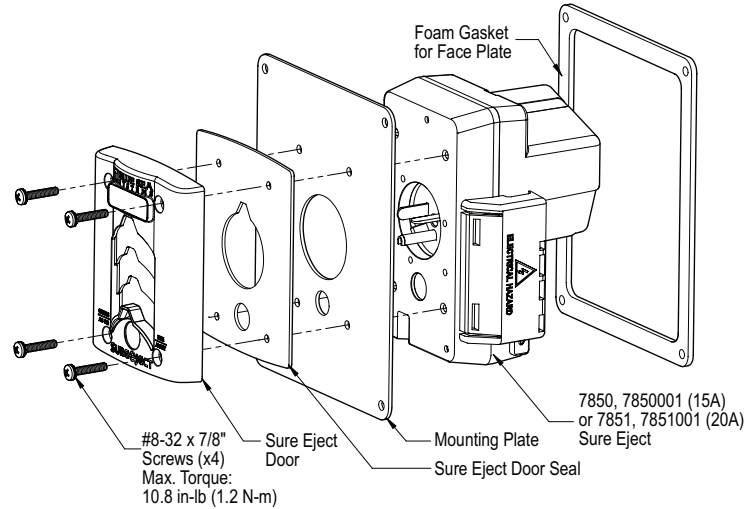
**Assembly Instructions**

1. Remove protective film from front face of mounting plate.
2. Align Sure Eject, mounting plate, door seal, and door as shown, then secure using included #8-32 x 7/8" screws. If installing without door, use #8-32 x 7/16" screws (not included)

**IMPORTANT!**

Warranty void if incorrect screw length is used.

3. Place foam gasket over Sure Eject, against back of mounting plate, before wiring Sure Eject.



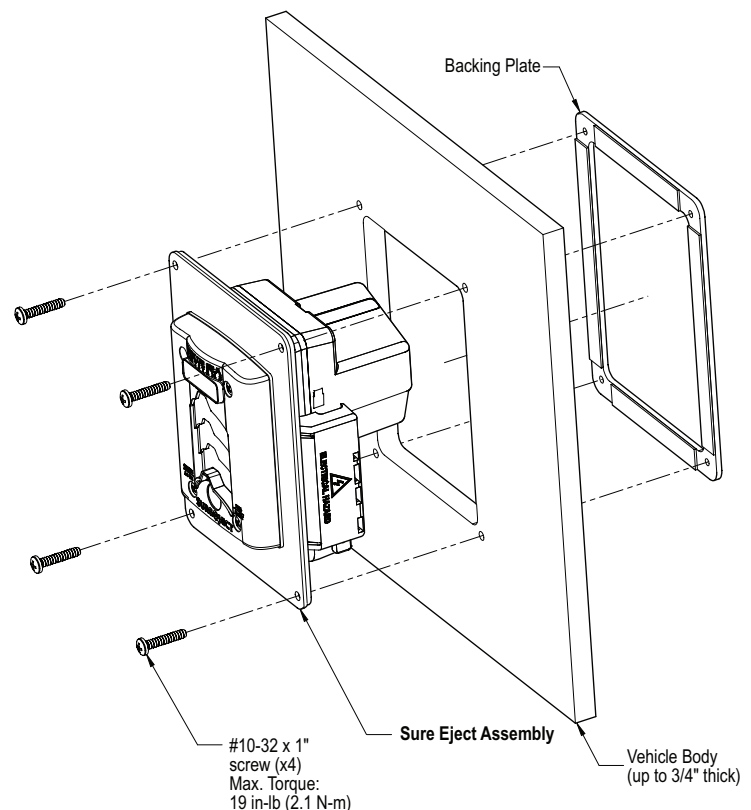
**Installation Instructions**

1. Choose an installation location with a flat surface and a vehicle wall of 3/4" or less.
2. Use backing plate as cutout template, and cut mounting holes.
3. Peel one of the adhesive strips on the backing plate and start to peel the remaining three, so small tabs of backing are available to grab.
4. Put the backing plate through the mounting hole, align the screw hole, and lightly push the fully peeled adhesive to the back of the mounting surface.

**IMPORTANT!**

Adhesive is very sticky, and is activated by pressure. Only use light pressure until you are sure plate is aligned with cutout.

5. While keeping the holes aligned, use the tabs created in step 2 and peel the remaining adhesive strips, pressing them lightly onto the mounting surface.
6. Verify alignment of backing plate with cutout and then press firmly around the backing plate to set adhesive.
7. Pass wires through cutout and connect to Sure Eject Assembly.
8. Install Sure Eject Assembly into the cutout hole, keeping gasket aligned with mounting plate, and mount to vehicle body using supplied #10-32 x 1" screws. Max. Torque 19 in-lb (2.1 N-m)



# Cutout Template

